

Points for Next Letter to Simon Baker

25 May letter

- ① Simon would send printer guide to the Conroy Archive
 - ② Page 23 line 4 "Jude-off" - has missed meaning.
 - ③ LTV received private Baptism. any use follow up date I found
 - ④ Conroy & Welsh for Mamma Library - Middleton with London
No separate Middleton
 - ⑤ Any reply to letter to Dan Victor ^{1/5/89} about George & Hugo Cook
-

14 Aug letter

- ① Encl copy of letter to Mrs J 19/6/89 pg 2 para 3. Any reply to letters to Mrs Hendre & Mrs Davell
letter to Mrs J 16/7/89
- ② ~~Will send an~~ refers to ^{some} notes and ^{etc} errata and addenda" to Mrs J
Mrs J. Says he will send an. details to me

Maman Library

Look up Carrey
" " Wiltshire for Dept KJV Carrey
" " Middleton to see if a Lande

References
 Henry Isabelle None
 Dean Isabelle MS SAV 1.05 KCM 3186 (only the mention of Isabelle plantation ^{government letter})
 Mrs Moss KCM 9714 obtained copies of 2 letters
 Arling Osborn } Plenty of references under various Osborn names
 William Osborn } but none under these five, not yet seen
 Gordon Osborn } (relative of my husband)

Isabelle Family MS CAM 1.04 KCM 9714 ^{KCM} 9705-9760

Letters South Africa - East Anglesland
 Shephard John 1906 -
 In the Shades of the Dabensberg
 Deuben Gregg 1976 968.75 SH6

Mrs Dorothy KCM 9714 MS CAM 1.04
 Correspondance 1943-45
 1 folder ca 50 items
 (KCM 9714 2 letters from Dorothy Man. copies taken)
 Found nothing in folder of ca 50 letters)

Willem Leste - A number of references under this name
 not yet seen
 Lesti . References under other letters not yet seen

Manuscript Catalogue
 French in Africa KCM 6488 MS CAM 1.04
 Correspondance Letter 1955
 3 Folders Files 29-31 ca 400 items

gives an interesting account of incidents on the voyage. Arrives in
Durban Jan 1851. Farm for a time on the coast and in 1853
goes to Mauritius returning the same year and bringing with
him some coffee trees mangoes avocados pears, re which he
planted a large property 'Red Hill' Succeeded very well at
first with coffee but has to abandon the cultivation owing to
disease appearing among the plant. Also grows arrowroot & cotton
in later years Mr Lister resides in Durban where he carries on business
as an accountant. His memoirs give a good description of Natal
as he found it in 1851 and is mainly made up of reminiscences
of the Colony's early days

Vol 1, pg 113
List of Passengers - Per brig Edward 600 tons, Capt Robertson
left London 8 Jan arrived Port Natal 2 May 1850
Osborn, William agriculturist J B Miller
E B Dacomb
William farmer
Charles, Joseph,

Vol 1 pg 117 List of Passengers and Emigrants to Ship Minerva from
London Arrived 3 July 1850
Walter Rev Mr Passenger, wife and family

The Best Papers

Reminiscences of Early Settlers L-O

Reference A 79

Vol ~~8~~

f

Vol 8. Pg 77 The Maxwell Family. Letter Thomas Maxwell to Mr Best

15/7/1913

Extract: Speaking from memory our fellow-passengers were William Lester, who is still alive, living near Howick Natal. He has a large family now resident in the Colony"

Vol 7 Pg 116-157 Early days in Natal by William Lester

Vol 8 Pg 111 FWH Middleton Letter to Mr Best

"In 1854 I left the business in ~~the~~^{the} flourishing condition to my partners George Waring & William Acutt with the object of commencing coffee farming having seen some old coffee trees in Samuel Beringfield's garden in the town also young ones at m^r de Jervason at Stella Umhlatizana & William Lester in Victoria County" all fine healthy strong trees, full of fruit I might mention here that I bought two pine-apples in 1849 from Mr Beringfield at 5/- each with the condition of returning the tops.

Vol 10 Pg 165-171 J.E. Shue to C Best

(Includes Ref to Rev James Lutz Pg 169 & 170)

Vol 3 Pg 15 Index only
Pg 29 ~~Index~~ No 32 Letter William (from a memoir written by himself)
Born in Derbyshire 1828 [was still living in 1919] Started farming at an early age and was then apprenticed to an Uncle who was a Canadian merchant in Liverpool. Remained there for 5 years and then sailed for Natal by the "Hilhelms" in October 1850

Vernoye Lett J J Conway Corbett London 14/5/38 William diste 4/22

Could be son to born 1856 has return to visit to
England

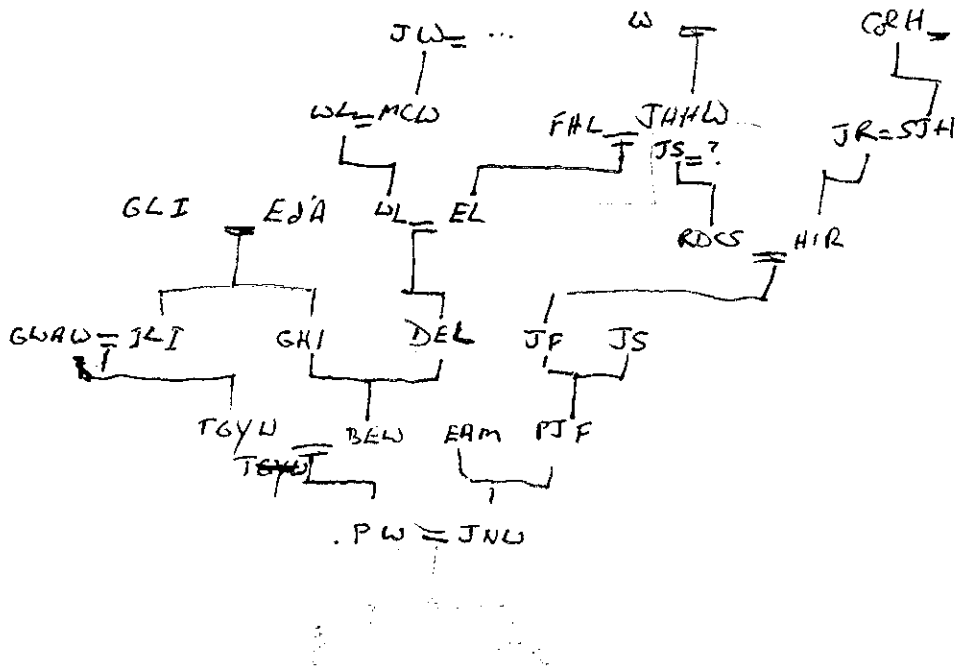
Managers Declaration 24/10/87 to 1888 and No 373 Heifer Windsor

Newspaper cutting in
"Letter

"From Margaret H Lester, 2 Denmark Flat Wynberg
a Ceteways

"My father of Stur Lester, the young superintendent of Plantations
was appointed by the Governor to be Custodian of War prisoners
as well and he rode over to Orde Molan two or three times
a week to inspect the establishment and to discuss matters with
Ceteways and see that he was comfortable and as happy as
possible

Immigrants to Natal, and their descendants



Dejela ~ the Matt Jululus ~ ~~to~~ later - the Uygurbu - the
Dasha and when the name, the Dasha Mantu, beyond
which are the Bar Republic, the OVS - Vol, British possessions
at a ^{of some troubles} peace - hence the reluctance to take a full profile of Natal.

As ~ the East Cape with the problem of the Xosa the Cape
Administrative sought a solution ~ migration, peace & buffer betw. the
Xosa - Cape - 1820, ^{large scale} in migration - War the result to the Natal
Probl. and The entire ^{the other hand} British presence the step towards, before
1849 ~ 1852 and ~ Natal evolved at a accelerated pace

It was a wild and undeveloped country and the fast. hadstiff
endured by the early settlers and
the fertility

At about the time of GWA in both ^{Britain} & Wales, there was much ^{interest} activity in ^{London} and ^{another} far away Natal in South Africa
~~Port~~ Batavia in 1843 had reluctantly annexed Port Natal
on ^{part} of the Cape following a siege by the Boers in the same year.
and pressure has been brought on the Boers to ^{develop} colonise the
fledgling colony by ^{promoting} immigration. The colony was exploited
by the enterprising ^{settlers} Bygone who averaged the passage of X immigrants
to Port Natal as ^{later} Delagoa had been known, first discovered by
D. Diego in 1493 & a voyage to the East was neglected by the powers
of the day Portugal, Holland - England, and was largely the haunt
of way stragglers, slave traders, ^{some} pirates and victims of shipwreck
who remained in contact with the local natives.

1823 saw the start of more permanent habitation by Europeans
with the wreck of the brig Mary at the entrance to Durban Bay.
Although a number of the crew built a boat for water haulage for
the forest on the Bluff a number stayed, joining the hunters & the
Shaka at the peak of his power was friendly with the few white
men who came out of the sea at Port Natal. At the time the
whole of Natal was divided up by the Ntshona apart from the ^{islands} which
had chosen to be the Durban as beyond the Umgeni.

Shaka was annexed to Dagestani and ascended in 1828
over 10 years later in 1837 the Dutch ^{settlers} under Port Natal Uys
and Pretorius saw the Dombonyan emperor at Weenen and
opposed Dagestani for concession. The Great Trek proceeded in 1837
as a matter of Weenen. Average Dec 1838 & Boers founded Port
as colonies settled in Natal Midlands - unfair land allocations -
return of Africa to the who has been fled Shaka. - Clashed with
England in 1843 & annexation. Does brother led across the
Dombonyan leaving largely uninhabited land apart from the returning
Bantus to the who negotiates a their historic area what who vacate
has been seen to Boers. - Steps to make Does remain - Pass Block
problem - Reserves. This was the part ^{which} ^{the} ^{immigrants} took a a
large scale took place. A largely uninhabited ^{land} ^{between} the

Information Required for Natal Genealogy

Joel Dean Sr. Date + Place of Birth in UK
 Emma Shegwiggon Date of Marriage and place in UK to Emma Shegwiggon
 Date of Death for Natal 1861
 Date and Place of Birth in UK
 Date " " - Death as E Dean in Natal

James Henry Dean Date and Place of Birth Natal
 1904
 Dates " " " Death

Jane H H Dean Date and Place of Birth in UK
 (nee Watson) " " " of Death in Natal

Rosa Jane Walter Date + Place of Birth in UK
 " " " " Marriage in UK
 " " " " Death in Natal
 Maiden Name of Wife
 Her Birth and Death dates

William Lester ~~Date of Birth~~ Date and Place of ^{above 1929} Death
 Mary Clarke Waldron Date + Place of Birth in UK
 Date of Death in Natal

William T. Lester Common Christian Name
 Date + Place of Birth Marriage + Date of Death (1943)

Ella Lee Date of Birth 1961 and date of death (above 1950)

Dorothy Ella Lester Date and Place of Birth

Col Humble Ingleton Henry Tanner all Dates and Name of Spouse
 James Row D1890 Sarah Jane Humble D1899
 George Smith B 1793 Robert Dobson Cullen Smith
 John Tanner Maram

Maryburg Archives

See Passenger List of "British Jar" - No in Party of Leans
Kit Book Vol 5 pg 107
Vol 2 pg 45 & 113 (No No's given)

Check Names & ages of William Osborne a British Jar for Mary
married Joel Leans Jr
?? For Detail Who's Who: William
Osborne came to SA 1841 - Victorian
narrator of late David Stanley

Puzzle of Osborne's perhaps following through a Ashley Osborne.
- first spelling of name and what immigrant
Check Passenger List Osborne family and family a "British Jar"
arrived 28 Sept 1850 Best Papers 479 Vol 1 pg 127

Hattersley - Portrait of a Colony pg 59 Ref to Deacons Maryburg
Concess of 1852

Old Library see "The Genealogist's Guide by George W Marshall
privately printed for the author by Bellamy & Sons Guildford, 1903
Rep to Woodley - Books Lander Genlog 6 and Supp 7 & 8

2542
1711
2114

Book with George Mead

- To the Show of Metal TV Budget
- The Decker Storey Andrew Campbell
- The Story of an African Seep J. H. H. H. H.
- The Merchant of Venice by Shakespeare - Drawing of the book checked

~

2. the Shadow of the Drakensberg

John Shephard

First published by T O Gregg & Co (Pty) Ltd. 1976.

Extract Pg 120

"Enormous distances were covered on horseback. Men thought nothing of riding nearly forty miles from Umgumbulu to Kosterstad or fifty from Harding to that town in a day. Mr Chaplin won a bet of £50 by galloping in his den clothes from Heetsmarthoeg to Matatiele in one day to attend a dance; a distance not much less than a hundred and fifty miles. He used three horses."

U May 1891 15 farmers met at the house of Mr J Heilbrat where under the chairmanship of Mr R J W Walker they agreed to form an association of farmers in the Indiana area. Very soon the expansion had become the Zwartkops Farmers association with Mr Walker a part President, but after 3 months he handed over to Philip Hutchman.

Unpublished paper

Annals of East Griqualand

on ~~Doring~~ ^{Doring} river

Natal Settler - Agent.

The Career of John Macleand
Agent for the Byrne Immigration scheme of 1849-51

Dr John Clark

A H. Balkema Capetown 1972

Look up Doring river

1859.
Pg 3 May 13 Kahlamba 319 Tons Departed
Barque London Feb 13
Miss B de
Monsieur Marguerite ^{Dalmaine}
Bella Dalmaine
Edith Isabelle
Leon - Edith Isabelle
Letitia Isabelle

Pg 126 1866 Sara Clavenden Master 273 Departed
Feb 2 Borg H Winter Com. London Oct 27
Geo Dalmaine, Mrs
Mary Dalmaine
Shiprater

Pg 108 1863 Angliam & Baynter 561 tons Mauritius
April 5 March 28
Mrs Isabelle

Pg 116 1865 Angliam R.M.S. & Baynter 561 Algova Bay
Aug 24 Aug 20
Berill Alan &
Beck

Pg 45 Philip Berill ^(Ship) departed for China Aug 30.

Deaths

Estate

F H Lean	1904	No 20	183/1904
Joel "	1861	3/17	45/1861
Lisa Mary Clarke	1901	10	394/1901
Lisa Willia Harold	1947	00	1719/1947
Walton Jama	1883	7	78/1883
Jama Wardle	1907	29	47/1907
Watson Emily	1951	0000	2722/1951

Ina - Land Allotment - The Cotton lands, Mount Moreland
land on the River Tangaat and beyond the River
Umblote.

British Tar - Land Allotment - The Cotton lands also estate
Harmony on Illova

Wesleyans Dean Joel / Grace & Children
Osborne William / Emma & Children

Natal Settler Agent - Dr John Clark

Martha - Land Databi Allotments - Byretown (Estate
Dunbar on Illova

Walter Rev James / Mary & Family

Watson William / Susannah & Family

Honoretta - Land Allotments Byretown (Estate Dunbar on Illova

Watson Thomas / Elizabeth & Family

Edward - Land Allotment - Beaulieu Illova - Richmond

Robert A Moss

Osborn John / Ann & Children

Payne Thomas A / Elizabeth & Children

Emily Land Allotments The Cotton lands also estate
Harmony on Illova

Cabin Paranger D'Almanic William

Devenian Land Allotments - The Cotton lands also on the Illova

Watson Joseph B / Isabel

Watson William / Ellen & Children

Henry Tanner Land Allotments Slang Spruit, New England

Blaris Lager Little Berkman's River - land
in vicinity of Pmb.

Duff Thomas

Duff William

Rau James / Jane and children

Rau Robert / Harvest - Children died on voyage

The Natal Caribbees

by 8. The security which Natal offered to the lives & property of ^{1855 - 1911} emigrants by Colonel's acts
 especially precarious. Defeated Zulus & N.E. - until Boers on the Bay
 by 9. The highest estimate of the number of blacks in the Colony when
 the Boers set up their Republic of Natalia was that given by
 Mr D.C. Dooley before a Native Commission ~ 1852. He thought
 it could not exceed 10000, other witnesses put it at a much
 lower figure. By the middle of the century it had mounted
 to at least 20 fold to the alarming total of 200,000

by 13. Lt Gov of Cap Colony prepared an Ordinance which may be termed
 the Charter of the Natal Volunteers, ^{enacted} passed by Legislative
 Council 15/11/54 whereby 2 volunteer regiments the Natal
 Contingent & the M.B. Royal Dragoon Regt. at the post were formed

counter ^{of Dordrecht}
 Barkman raids ~ 1856 steal cattle

Rebelleven Tribes

Zulu war clouds Colway's civil war

1861 12 July regular volunteers called out after Colway's gathered
 a large armed force - the bulk of the Zulu

1865 Baute's incursion. Baute under Moleappo invades Natal
 drove off Boer cattle but ~~volunteer~~ native expedition stopped
 at Beaufort by Gov of Cap Colony intent on preserving British Neutrality

↑ Aug 1873 expedition attended Colway's coronation

Langalibalele 1873 - see Popham - Lt Eshene

1874 Zulu War Isandhlwana lost 2200 men & officers
 Over Va

Dean of George & ...

Dean and Edith Isabelle nee' d'Almaine

London Microfilm Edith d'Almaine ^{Born} 16 Nov 1831 ^{St Paul} ^{Great Britain} ^{Wiltshire}
Natal Archives - European Immigration Vol 74 pg 3

13 May 1859 Kahlamba ^{Barge} 319 tons Departed London

13 February

Leon had been with his 2 brothers Charles & Jean in the French Legion and was one of the volunteer defenders of Matorredes Hungary.

Fellow passengers Miss B de Messrs Marguerite d'Almaine Bella d'Almaine ^ Fellice Isabelle ^ Edith Isabelle

Page 108.

5 Apr. 1865 Anglican Master E Baynton 561 Tons

Arrived Mauritius 28 March 1865 Passenger Mr. Isabelle

Leon Died 25 January 1869.

A "2 Memorium" in some unnamed newspaper or publication

Edith Died 29 June 1912 blackwater fever

Edith Born 16 Nov 1831 Le Havre

Educated principally in England

Returned to Le Havre and there

married Leon Isabelle on 2 Dec 1852

Edith saw Leon administered Haverly but he died in 1879

Came growing thereafter abandoned and Edith supported

his family by teaching in his own home

Had 10 children 4 of whom survived him

See extract of paper by Mayor Cecil Cowley

"See by 601 Register of 'Lyon Identity' Slump in 1865

Level values dipping (7 to 10) - to 2/6 Probably why Leon was ...

54
21
33

William ~~to~~ and Mary Lister nee Walton.

Natal Archives
Marriage Declaration

Appeared before me Henry James Moller
Esq. Resident Magistrate for the County of D'Urban, the
following persons desirous of being united in matrimony
Durban 13th Sept. 1854

~~William Lister Bachelor 25 years Umhlanga
Mary Clarke Walton Spinster 21 years Umhlanga
NA CSO 2282 pg 195~~

Natal Archives

~~Lister Mary Clarke 1901 No 10 394/1901~~

See pg 533 Beginning of the Natal Sugar Industry
Arrived at Dur by the Wilhelmina in Jan 1851 & after a
visit to Pms returned to prospect a settling site on the north
side of the Umgeni River where he bought 50 acres of land
for Mr Fielding etc
Walton a neighbor
* Henry Shive
visited Mauritius in 1853
Sold estate 10 years later

Ref Portrait of a Colony extract & file re Accommodation
" Port Natal by James Mable et al " " Botanical gardens

Joel Lean (Snr) & Grace

Natal Archives

Estates: Joel Lean 1861 No 3/17 25/1861

Dr John Clark Natal Settler Agent
Emigrated British Jar

Children Josiah H, Joel, William, Richard H, Francis
Allocated 110 acres

↓
Death Notice
8 160/1893

Joel

Marriage Declaration Grace Lean to James Silburn
17 July 1884
NA CSO 2288 pg 62.

1 Not this Grace

the marriage He bachelor of 27 born ^{Holy Island} County of Northumberland
She Spinster 21 Born Natch
County Pemb

~

A list of subscribers in the group of "Wild Horses" 1720 6687
Durban: the group 1872 D79

- No 32 Aling Osborne Jan 1846
- 88 Thomas Duff Mar 1850
- 113 William Campbell June 1850
- 166 William Dester Jan 1851

Genealogical Society of SA 864665 Mrs A Dester

Colonist Natal Emery Frank DON 059, 68

Early Colonial Perceptions of Natal

- Duff T 1850 First Impressions of Natal by a Hawthorne Ploughman
- Emery F 1882 Images of an Alien Landscape; the Colony of Natal 1850-1850

Genealogical Library 12/7/89
 Natal Archives I m B Index of European Immigrants June - Z

Woodley Mr E1 24/8/1864 Vol 74 p 92
 " " 471 7/4/1847 " 73 p 5

Age 7
 witness 4/7/1850

Wolton Mrs E 27/3/1863 Vol 74 p 61
 19 " Jabez B 3/10/1850 See Witness 12/7/1850
 15 " James ✓ John C
 1 " John Wolton, Jane & Mary. Vol 64 pg 9

" Samuel 9/5/1850
 (See Witness 17 May 1850
 ✓ Harriett Thomas Edward Theodore & Clara Jane
 Vol 64 pg (ii)

Wolton, Walter 10.1.1863 Vol 74 pg 55
 Wolton Mrs 28.5.1863 Vol 74 pg 64
 Wolton Mr 7.9.1870 Vol 74 p 198

r
 Lister 10-12-1853 Vol 73 pg 51
 20 1 1857 73 pg 83
 1.3.1863 74 " 58
 Mrs 9.9.1868 74 " 172

For Leon Joll & family 28.9.1850 Witness 4.10.1850

Osbourne Mr 1.3.1863 Vol 74 pg 58
 " Alfred 21.9.1863 Vol 74 pg 72
 1. Thomas 24.2.1865 " 74 pg 105 Witness 3.3.1865
 " J D 22.3.1868 " 74 pg 165
 " William family 28.9.1850 " " witness 4.10.1850
 " William & J B & E B, John & Ann Vol 73 p 21 Vol 74 pg 165 witness 10 May 1850

Names included by William Dells in his 'Early Days in Natal'

William Swift, a cousin for many years Cashier in the Natal Bank.
Robert Topham sometime of Pmb. near the Umgundeni

C. B. Hayes
Gibson
Kearley
Tom Maxwell } fellow passengers

Mr Geddes - undertaker

Mr Currie bought a horse for . He also figured in the primitive
myer Bailey letters. - edward Green had
& became Mayor of Dur

Mr Willie To a bank with - was an intimate friend
of James ^{of bank notoriety?} and accompanied a way to Pmb

Mr Weeks - Dandy Horse Club

Mr Fiddling
Mr Jynney
George Gibson - surveyor } pg 16 a grand old man pg 11
Scotch Mission pg 11

Frederick Jynney afterwards became the Secretary for Native Education pg 13

^{Juniors}
Hugh & Browne - passenger maneuver at Walton Creek pg 14
Lytle Henry & Henry Shoe pg 16
a Mr Page pg 16

Mr & Mrs John Palmer - ^{family} recent neighbours next to Jynney, pg 18

Mr Hull widow of the late Daniel Hull

Capt Foster who afterwards became member of our first Legislative
Council lived just below the Palmers at Lytle Creek, ~~pg 15~~ his
successor was William Robert Shaw Wilson, known as
Indigo Wilson - which plant he discovered pg 19

Groom } pg 20
Garland
Water Shaw

(PTC)

HP. Ashton - manservant pg 21

George Adams - Near the great Umbhanga afterwards
known as Blackblow pg 39

Dr. Lyle } pg 39
Mr. Burns }

Mr. Gellspie pg 40

See Natal's Who's Who for Walters and
Watsons 1906 Printed by Roberson & Co
Books to View.

a number of books and Byrne letters

Byrne J.C. Emigrants Guide to Port Natal

No Arbutnot J. Reminiscences (printed privately Kelle Campbell
Library)

No Collison Advice to Emigrants; a few practical observations

916.84
D68/50024
viewed 14/11/90 Index description of ship from voyage to Natal

Methley J.E. The New Colony of Port Natal with information
for emigrants

No Park M. The History of Early Vereenem 1850-1860
Archives Year Book for SA History 1953 Vol II
Cape Town 1953

No Akett H. Government Assisted Immigration into Natal 1857-62
(unpublished thesis University of Natal 1963)

Flammy

No Fleming J. Diary 1850-56 (Natal Archives)

viewed 14/11/90 part of record about

Don 96843
No 2911
Hammond E. The settlement of the Byrne Emigrants in Natal
1849-52 (unpublished thesis University of SA.
NUC A26)

viewed 14/11/90 Index description of voyage to Natal

Don 968
403
Nos 11926-11927
Ralls R.E. Early immigration schemes in Natal 1846-53
with the exception of the Byrne scheme
(unpublished thesis University of Natal 1938)

No Watson W. Diary kept by Mervin Sells
Local History Museum Durban

→ Clarke John Byrne 20 days passage list 96843
Byrne Sells Diary of old Natal
Durban News 26/3/80 E.F. 96843
Byrne Sells Kelle Campbell Don 96843

- Byrne J.C. "Emigrants guide to Port Natal"
- Arbuthnot J. "Reminiscences (printed privately Kellie Campbell library)"
- Collison Advice to Emigrants; a few practical observations
- 9/11/84
16/1/80
Methley J.E. ^{on Natal} ^{interests} ^{of the} ^{1st} ^{European} ^{settlers} ^{at} ^{Port} ^{Natal} ^{with} ^{information} ^{for} ^{emigrants}
- 110 Park m. The History of Early Vereenem 1850-1860
Archives Year Book for SA History 1953 Vol II
Cape Town 1953
- 114 Akitt H. Government Assisted Immigration into Natal 1857-62
(unpublished thesis University of Natal 1963)

Fleming

- 116 Fleming J.T. Diary 1850-56 (Natal Archives)
- 10/11/90
10/2/91
Hammond E. The settlement of the Byrne Immigrants in Natal 1849-52 (unpublished thesis University of SA. NUC A26)

Ralls

- 117 Ralls R.E. ^{interests} ^{of the} ^{1st} ^{European} ^{settlers} ^{at} ^{Port} ^{Natal} ^{with} ^{information} ^{for} ^{emigrants}
Early immigration schemes in Natal 1846-53 with the exception of the Byrne scheme
(Unpublished thesis University of Natal 1938)

Watson

- 118 Watson W: Diary kept by Minerva Sells
Local History Museum Durban
- 119
120
121
122

- Byrne J.C. "Emigrants guide to Port Natal"
- Arbuthnot J. "Reminiscences (printed privately Kellie Campbell library)"
- Collison Advice to Emigrants; a few practical observations
- 9/11/84
16/1/8024
Methley J.E. ^{on Natal} ^{interests} ^{of the} ^{19th} ^{century} ^{Port} ^{Natal} ^{Emigrants} ^{to} ^{Port} ^{Natal} ^{with} ^{information} ^{for} ^{emigrants}
The New Colony of Port Natal with information for emigrants
- 110 Park m. The History of Early Vereenem 1850-1860
Archives Year Book for SA History 1953 Vol II
Cape Town 1953
- Akitt H. Government Assisted Immigration into Natal 1857-62
(unpublished thesis University of Natal 1963)
- ~~Fleming~~
- 110 Fleming J.T. Diary 1850-56 (Natal Archives)
- 10/11/90
10/2/91
Hammond E. The settlement of the Byrne Emigrants in Natal 1849-52 (unpublished thesis University of SA. NUC A26)
- 10/11/90
11/7/90
Ralls R.E. ^{Interest} ⁱⁿ ^{the} ^{early} ^{immigration} ^{schemes} ⁱⁿ ^{Natal} ¹⁸⁴⁶⁻⁵³ ^{with} ^{the} ^{exception} ^{of} ^{the} ^{Byrne} ^{scheme}
Early immigration schemes in Natal 1846-53 with the exception of the Byrne scheme
(Unpublished thesis University of Natal 1938)
- 110 Watson W: Diary kept by Minerva Sells
Local History Museum Durban

- Done town 1846-53 / 1846-53
 - 1846-53
 - 1846-53
 - 1846-53

Reference Books on Natal
Vol 5 British Settlers in Natal

- 958.4 766 37425
- 280 Bleek W.H.I. Natal Diaries 1855-1856 Balkema CT.
- 290 Duff Thomas ^{Samphoff} First Impressions of Natal by a Berthshoe Plasterer
See Duff Notes at Kellie Campbell Natala Vol 7 1977
pg 7-23
- 292 Trelden E.W. my African Home or Bush Life in Natal when
a young colony 1852-1857 London Sampson Low
1887
- * Saw 25/6/90 Inter Capenas D'Almeida Neto
301 The Natal who's who: an illustrated biographical sketch
72C 6184 Book of Natalans Dln Who's Who Publ Co 1906
1102115 5136 1919 (Useful mainly for the second generation)
7553 18708 518 47679
- 319 Directory of Durban - Port; District of Natal Port 1852-1852
P 416 84 784
- 352 Anderson C.J. Reminiscences & memoirs of early Durban & its
Dln 1946 (pamphlet) 1105 3335 4336
- 333 A.A. Buchanan Barbara Natal Memories Port
Shute & Shuter 1941
- 354 Cook Douglas
The Payers of Overdale Gellats. UK Author 1962
- 356 Genealogies of old SA Families C Parma Balkema 1978
- 357 Directory of National Biography: the concise dictionary from the
beginnings to 1930 London University Press 1939
- 365 Benjamin Nadel by R. Musker, pp. 594-5 "Dictionary
of SA Biography" v2 CT. Topelberg for Human Science
Research Council 1972
- 368 Authorities "Ditto" v3
- 378 Geo Payne " v4
- 958.63
773 72270
Saw 25/8/90 No info. Inyualanda
* 389 Harbor Roy Gentlemen of brave metal: life in early East
Natala, the Author 1975
- X 418 Uma Long On notes to Authors of Unofficial privately
owned notes relating to the History of SA 1812-1820
1105 016 418 1105 4518

- 447 Tabbler E C Vicerees of Natal & SE Africa Baltimore CT 1977
- 449 Theal History of SA since 1795 5 Vols Vol 2 Continues
- 450 20th Century impressions of Natal, its people Commerce, industries
& resources, Durban delegates 1906
- 453 Verbeek genealogist & collector. Victorian & Edwardian Natal
Pmb Shuter & Shuter 1982
- 457 Who's Who in Natal with which is incorporated. Who's Who of Natal
Durban Knox 1933 92C.6684 Nj 4590 66/7
- 157 McLean Alexander - log of a voyage on the Jane Macrae 1853
- 169 European Immigration Dept vol 53, 54, 64, 65, 73, 74
- 179 Decca Mackay LL Supreme Court Deceased Estates
- * ~~246~~²⁷⁵ SA Who's Who 1910, 1915, 1923-4 gth mainly useful
second generation

Agrean Library

Natal - an Emigrant Guide Book by John Robertson

Reference Library

Can Law &
movie video

Kellie Campbell Library

~~William Lister's manuscript for his diary for the latter years.~~
Natal - an Emigrant Guide Book by John Robertson

Have

Wilma Library

manuscript

Lister x Derbyshire

Frost " "

Swift " "

dean Joel
Shegwiggent Emma

with Attorney of Georgetown Cornwall

May Osborne dau of
William Osborne &
Emma Blamie; the second
son of the 7th Duke's head
of Lady's House Cornwall

Photocopy 21, 22

28 to 31

25, 26, 27

32 to 44

45 to 52

52 to 60

61 to 63

Index to the manuscript

A-D
 1. ... Notes on the ...
 2. ...
 3. ...
 4. ...
 5. ...

E-L
 1. ...
 2. ...
 3. ...

M-R
 1. ...
 2. ...
 3. ...

Index ...
 ...
 ...

...
 ...
 ...

...
 ...

Killer's Africa - The Observations of Dr. Keller Campbell
by Nancy Hayes

Page 25

In her 1958 "year Keller was another in Keller's
primary school as he joined Harvard in the Green district
more Gabriel was a colorful African woman of mixed blood &
English parentage. The school was not a mid distance for what
to her the best rest Keller had in the dormitory of Kava
Market. One of the fellows - perhaps in East County, a cousin by
marriage. Keller had been largely well contentedly a sham
residing in the Campbell & that report like the
was nothing particularly original in his teaching methods,
by his character & variety of personality all left an
irreparable mark upon his charges. He refused to
show an appreciation of his own values & the lessons
he gave them in the art of being an imperfect with
impaired humbly and unexcused pride.

To Check

Class. Arthur Julian's death 28.10.1892 . 1891 appear on CWA
Wedley's death notice . 1892 definitely indicate 1892
was year.

Savery Thomas KCM 3186-3188 115 Savery 1105
KCM 3186 "Gottings from the 'Mole Monkeys Haunt' Berea 1864
mention is made of plantations passed through as seen in
the distance "Smedon, Acutt, Lee, Isabelle, Teresa and
a hat gotchas - (
seen (that is all)

Savery Thomas

KCM 3187 Map and Note on Natal dated Feb 61 J.S.

Natal population about 5000 English
5000 Dutch

+ 140000 of refugee Kaffirs

The Berea Hills. The Durban merchants have their
suburban villas on these hills + there sleep out of town riding
to business in the morning.

The Berea (weedy and scrubby) commands a
splendid view of the plain below; the town with its
gothic churches, the bay with its port of shipping +
frequently wooded inlets, the dark and bush clad
Bluff + the Indian Ocean

Flamingos, pelicans, cranes etc are in the Bay which
abounds with fish especially fine mackerel.

Wild turkeys, quail, fowls etc are in the Bush

Letter
Parker Tamby Dale 1 KCM 90/18/1/1-6 ~~See no info obtained~~
" 2 Leon/Park/Water Family KCM 90/18/2/1-4
Mrs F Maude Lean 90th Birthday Newspaper Article ^{until Tuesday} May 1928
Mrs F Maude Lean Letter to Mrs Campbell dat 4/1/51

I have gained the benefit of a VC manuscript⁺ which by the way makes
fascinating reading covering as it does the ^{events} ~~life~~ of Natal from 1830 to
1900 — not written by a historian but as a resident in the Colony,
especially its birth pangs to the new era of the Boer War
and account of local residents of the
(Zulu War, 2 Boer Wars, successive booms and depressions, — the
birth pangs of the new colony makes fascinating reading, eg in the 1st Boer War
'I cannot learn that a shot was fired by the British, but
halted & halted, down the hill they fled and tumbled, the Boers
actually patting the Highlanders with their own bully beef tins.'

1842 Hostilities between the 2 parties

1843 Natal ~~officially~~ ^{officially} annexed by Britain

1844 ^(31 May) Annexed to the Colony of the Cape of Good Hope

1856 (15 July) Declared to be a separate British Colony

pg 244 Census July 1851 - No of inhabitants in Durban

Men	629
Women	404
Children	541
	<hr/>
	1574
Soldiers & Corp	100
" " " " " " " "	110
Total	<hr/>
	1694

Taken at time when emigration was at its highest, and is probably considerably above the present number; some having left the Colony and others having returned to the interior

"History of the Colony of Natal by Rev William C. Holden 1855"

pg 288

1848	Immigrants	228
1849	"	622
1850	"	2942
		<hr/>
		579
		<hr/>
		4371

(The Bayne's scheme was controversial.) Published in very glowing terms, attracting persons not suitable to settling in a new country let alone farming. Even farmers could not take it - conditions totally different from England as a farmer could make a living & hybrid - 300000 but similar grants could not keep even a living - Furthermore some of the grants were totally unsuitable as cliffs etc.

pg 254 "Parties working to promote emigration to Natal, gave the most glowing description of it. On the other hand, when emigrants arrived they say the country is not what they were authorized to expect; and after a few days spent in this new and discouraging

circumstances, they are disposed to give the most unfavorable account
of everything.

See Dec 20 Loversa re Byron Pg 12 and also p 11

See index

Also Battersley's portrait of a Colony

Let's more fully take a case situation it over relation it to information & have here.

Then we can more rather now temporary here & will be able to study if both are fully over case relate it to information & brought will mean here reply & more detailed shortly.

1. Books have a program #14-15. Not a journal or article

2. Books not by ...
 3. Books ...
 4. Books ...

5. Books ...
 6. Books ...

7. Books ...
 8. Books ...

9. Books ...
 10. Books ...

11. Books ...
 12. Books ...

13. Books ...
 14. Books ...

Dh Library 9/3/90

~~Check 1970 Burke's Peerage Baronage & Knightage~~

- 1) map of Waterfall Umyantaker
- 2) Complete check on Almanacs
- 3) Check of Books noted of KIC Library
- 4) A Book of Kings - A Royal Genealogy
by Andrew MacNaughton

~~Vol 1 - Victoria~~

Da Africa

①

Notes on Natal

An Old Colonial Book of New Settlers

Edited by Joh Robertu E RGS

Published by Robinson & Vane De Nieuwe

6 G Street 30 Cornhill Lond 1872

②

Natal - a Practical Guide Book to

the Br Dependencies & SE Africa

by Joh Robertu

Lond 6 Street Colonial Newspaper Office

30 Cornhill 1863

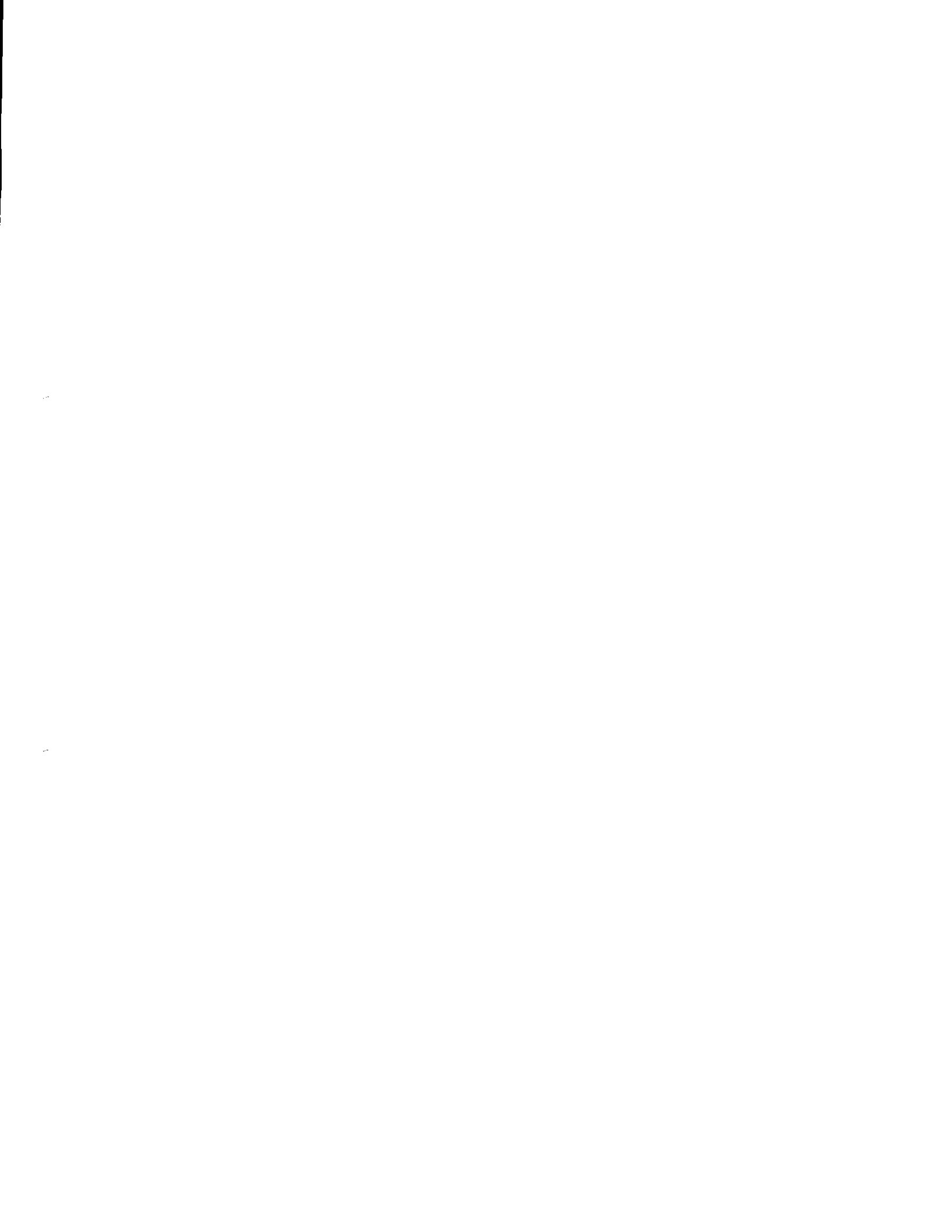
③

Roll of British Settlers in SA

E Mace Jones

Published by A Baldwin CT







Dr John Clark
AA Balthasar CT 1972

East Tynesia land Farmers Union
Papers 1895 - 1979
KCM 25969 - 30007

Anderson Alexander MS a 2.08
Test emigrants (see) at Port Natal
Broadcast talk on life in 1850-60 period
Dated 1929 26.8.1929
KCM 1679

Sellers - South Africa East Tynesia land
MS HER 3.09

Henry Mary Winifred
Notes on East Tynesia land History
KCM ~~8279~~ 8284

o
Seen. Under Huxley - a list of settlers and some
details of them. Under Huxley^{fig 2} - "The village of
Ungwenkulu was then known as Drift until the 80's
when it had the name of the river

fig 4 "The Frontier among Mountain Police
helped to quell the rump. At the time of the Basuto rebellion
in 1880 - - - -"

Under Capt James Smith "Alec Payne need be
got most of his strength sent for Cedarville district.

Under Coler fig 1 "Mr Henry Payne contracted to
move troops by oxwagon to Mankberg during Zulu War. The men walked
per Grahamstown & were met at the Inyati during a very bad drought. There was
no grain of the oxen except a little wheat at Inyati.
In the early days the settlers bought oxen, to land only without seeing them - only bought the 1/2



Among papers left after ^{following his} my father's death in 1976, was a ~~manuscript~~ memorandum headed "Family Register of the Births, Marriages, Issue and Deaths of William Woodley of Island of St Christopher America (West Indies) and his wife Budget Woodley. Also their Next of Kin both by Blood and Marriage which John Woodley has had Transcribed. Feb 12th 1767".

It is probably a copy of the original memorandum which John Woodley transcribed ^{from an ~~original~~ unrecorded document,} as its final paragraph is an entry paragraph in an entry in Charles Woodley born in 1776, which is 2 years after John Woodley's death in 1777. The copy bears the initials AJW in places ~~which~~ and it seems likely that it was drawn up by Capt AJ Woodley ^{or his wife} in the late eighteenth century.

There ^{is} also an original, ^{manuscript - French} and ^a typed ^{translation - French} manuscript headed "The History of the Isabelle Family. This was written by ... Isabelle () and trace the Isabelle family to ^{where} previous to which no records are available ^{detail shortly}.

Shortly before my father's death there was also a letter ^{in England} from a Simon Pakes introducing himself as a genealogist and ^{descendant} of Charles Woodley ^{emigrated to Natal} of the Woodley family ^{and} ^{in Natal}. I do not know whether my father replied to the letter, but I managed to trace Simon Pakes to the Isle of Man, and wrote to him in 1988, some 12 years after ^{he wrote} the letter to my father. He was delighted to hear from me, ^{has been following my father's family for some 20 years and has a wealth of info} and ^{we have} ^{researching} ^{refining} ^{information} exchanged information, provided leads and ^{researching} ^{refining} ^{information} ^{on} the subject and refining information to have compiled a comprehensive history of the family from 1675. We are still searching for ^{one} a "missing link" between this date and ^{for} a John Woodley who died c 1338 and his descendant ^{at} ^{the} ^{Manx} ^{Library} ^{at} ^{John-Denis} ^{Noblet} ^{Archives} ^{ILC} ^{Library}.